

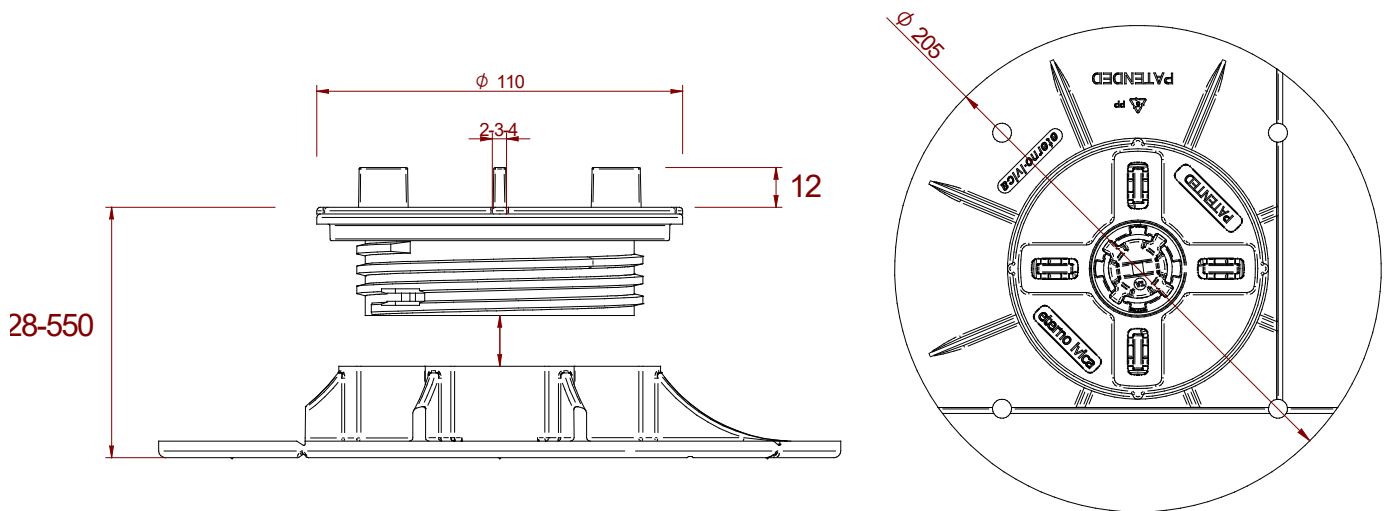


# TECHNICAL DATA SHEET

## PEDESTAL SE

# eternoivica

INNOVATION LEADER



### TECHNICAL SPECIFICATION:

Supply and installation of supports for raised floors type "Eterno", adjustable in height, equipped with bi-material tilting self-levelling head, with anti-noise and anti-slip rubber finish. The supports are composed of polypropylene elements consisting of a cylindrical base with manually fracturing elements with a minimum diameter of 205mm, a screw with an adjustable height from 28mm up to 550mm, equipped with an anti-screwing safety lock and a head equipped with N°4 spacer tabs with a thickness of either 2, 3, or 4mm and a height of 12mm easily removable if necessary. In the base there are holes for the outflow of water and N°2 grooves to facilitate manual cutting if needed. The height adjustment is carried out using the tailored adjustment key, which acts on the screw independently from both the head and the base. It is possible to increase the height of the supports by using the P1 extension

### CHARACTERISTICS:

- Adjustable in height
- Bi-component self levelling head (PP and rubber)
- Slope compensation from 0% to 5%
- Tailored key for height adjustment
- Easy removable tabs
- Anti-screwing safety lock
- manually fracturable base

### RAW MATERIAL:

Polypropylene and rubber (head top finishing)

### ENVIRONMENTAL IMPACT:

Recyclable material - non dangerous

### APPLICATIONS SURFACES:

- On any waterproofing membrane
- On any insulating panel
- On any compact and solid surface

### APPLICATIONS AREA:

Can be used with any prefabricated self supporting element for outdoor flooring

### GENERAL CHARACTERISTICS & PROPERTIES

	UNIT	VALUE	TOLERANCE +/-
BASE DIAMETER	mm	205	+/- 1.0
BASE THICKNESS	mm	5	+/- 0.2
HEAD DIAMETER	mm	110	+/- 0.8
SURFACE OF THE BASE	cmq	330	+/- 5
TABS THICKNESS	mm	2-3-4	+/- 0.2
TABS HEIGHT	mm	12	+/- 0.2
SHORE	Shore d	70	+/- 3
SLOPE CORRECTION	%	5	+/- 0.5
FIRE REACTION*	UNI-EN 13501-1:2009	classeE	
LOW T(°C) REACTION	°C	-40	

\*Tests made by Giordano S.p.A. Institute of Bellaria-Igea Marina (RN)-Italy



# TECHNICAL DATA SHEET

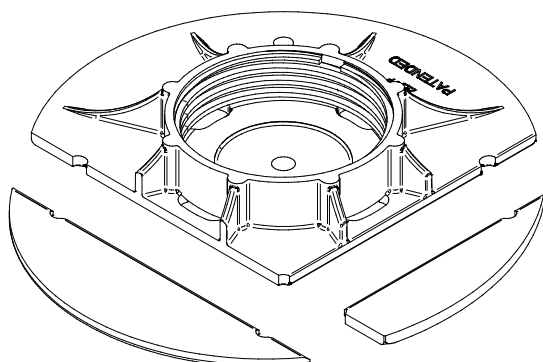
## PEDESTAL SE

eternoivica

INNOVATION LEADER



**NEW**

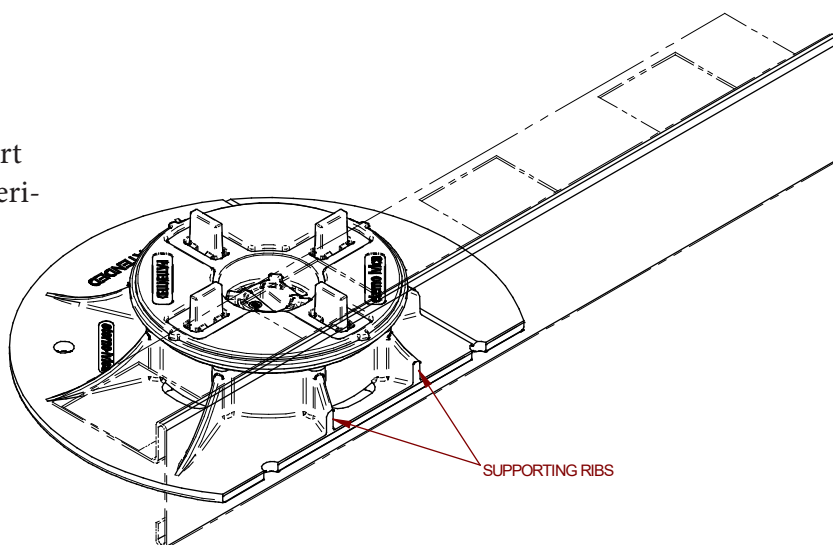


### **FRACTURABLE BASE:**

The base has 2 pre-cuts from which it is possible to split the extra base part by hand when laying on the wall edges or risers, without the need for auxiliary tools.

### **SUPPORTING RIBS:**

The supporting ribs give a stable support during the installation of the vertical perimeter profiles





# TECHNICAL DATA SHEET

## PEDESTAL SE

# eternoivica

INNOVATION LEADER



### ITEMS CHARACTERISTICS & PROPERTIES

<b>SEO_E240028038</b>	UNIT	VALUE	TOLERANCE	PACK/STORAGE	
min HEIGHT	mm	28	+/- 1,0	PIECES PER BOX	25
MAX HEIGHT	mm	38	+/- 1,5	BOXES PER PALLET	60
WEIGHT	kg	0.252	+/- 5 %	BOX DIMENSION	40x40x21cm
MAX CENTRAL COMPRESSION RESISTANCE*	kN	19.93	/	BOX WEIGHT	6.4kg
MAX ECCENTRIC COMPRESSION RESISTANCE*	kN	11.61	/	PALLET /Pcs PER PALLET	80x120cm/1500

<b>SE1_E240037050</b>	UNIT	VALUE	TOLERANCE	PACK/STORAGE	
min HEIGHT	mm	37.5	+/- 1,0	PIECES PER BOX	25
MAX HEIGHT	mm	50	+/- 1,5	BOXES PER PALLET	48
WEIGHT	kg	0.320	+/- 5 %	BOX DIMENSION	40x40x27cm
MAX CENTRAL COMPRESSION RESISTANCE*	kN	16.06	/	BOX WEIGHT	8kg
MAX ECCENTRIC COMPRESSION RESISTANCE*	kN	11.49	/	PALLET /Pcs PER PALLET	80x120cm/1200

<b>SE2_E240050075</b>	UNIT	VALUE	TOLERANCE	PACK/STORAGE	
min HEIGHT	mm	50	+/- 1,0	PIECES PER BOX	25
MAX HEIGHT	mm	75	+/- 1,5	BOXES PER PALLET	48
WEIGHT	kg	0.352	+/- 5 %	BOX DIMENSION	40x40x27cm
MAX CENTRAL COMPRESSION RESISTANCE*	kN	16.47	/	BOX WEIGHT	8.8kg
MAX ECCENTRIC COMPRESSION RESISTANCE*	kN	14.04	/	PALLET /Pcs PER PALLET	80x120cm/1200

<b>SE3_E240075120</b>	UNIT	VALUE	TOLERANCE	PACK/STORAGE	
min HEIGHT	mm	75	+/- 1,0	PIECES PER BOX	25
MAX HEIGHT	mm	120	+/- 1,5	BOXES PER PALLET	32
WEIGHT	kg	0.458	+/- 5 %	BOX DIMENSION	39.5x60x26.5cm
MAX CENTRAL COMPRESSION RESISTANCE*	kN	19.55	/	BOX WEIGHT	11.45kg
MAX ECCENTRIC COMPRESSION RESISTANCE*	kN	15.23	/	PALLET /Pcs PER PALLET	80x120cm / 800

<b>SE4_E240120170</b>	UNIT	VALUE	TOLERANCE	PACK/STORAGE	
min HEIGHT	mm	120	+/- 1,0	PIECES PER BOX	25
MAX HEIGHT	mm	170	+/- 1,5	BOXES PER PALLET	24
WEIGHT	kg	0.518	+/- 5 %	BOX DIMENSION	39.5x60x33cm
MAX CENTRAL COMPRESSION RESISTANCE*	kN	20.98	/	BOX WEIGHT	13kg
MAX ECCENTRIC COMPRESSION RESISTANCE*	kN	17.84	/	PALLET /Pcs PER PALLET	80x120cm / 600

<b>SE5_E240170215</b>	UNIT	VALUE	TOLERANCE	PACK/STORAGE	
min HEIGHT	mm	170	+/- 1,0	PIECES PER BOX	25
MAX HEIGHT	mm	215	+/- 1,5	BOXES PER PALLET	24
WEIGHT	kg	0.609	+/- 5 %	BOX DIMENSION	39.5x60x33cm
MAX CENTRAL COMPRESSION RESISTANCE*	kN	18.67	/	BOX WEIGHT	15.2kg
MAX ECCENTRIC COMPRESSION RESISTANCE*	kN	14.62	/	PALLET /Pcs PER PALLET	80x120cm / 600



# TECHNICAL DATA SHEET

## PEDESTAL SE

# eternoivica

INNOVATION LEADER



### ITEMS CHARACTERISTICS & PROPERTIES

<b>SE6_E240140230</b>	UNIT	VALUE	TOLERANCE	PACK/STORAGE	
min HEIGHT	mm	140	+/- 1,0	PIECES PER BOX	25SE3 + 25P1
MAX HEIGHT	mm	230	+/- 1,5	BOXES PER PALLET	24 + 42
WEIGHT	kg	0.694	+/- 5 %	BOX DIMENSION	39.5x60x26.5cm 39x39x29.5cm
MAX CENTRAL COMPRESSION RESISTANCE*	kN	16.3	/	BOX WEIGHT	11.45kg + 6kg
MAX ECCENTRIC COMPRESSION RESISTANCE*	kN	10.71	/	PALLET /Pcs PER PALLET	80x120cm 600+1050

<b>SE7_E240185275</b>	UNIT	VALUE	TOLERANCE	PACK/STORAGE	
min HEIGHT	mm	185	+/- 1,0	PIECES PER BOX	25SE4 +25 P1
MAX HEIGHT	mm	275	+/- 1,5	BOXES PER PALLET	20 / 42
WEIGHT	kg	0.754	+/- 5 %	BOX DIMENSION	39.5x60x42.5cm 39x39x29.5cm
MAX CENTRAL COMPRESSION RESISTANCE*	kN	16.14	/	BOX WEIGHT	13kg + 6kg
MAX ECCENTRIC COMPRESSION RESISTANCE*	kN	12.28	/	PALLET /Pcs PER PALLET	80x120cm 500+1050

<b>SE8_E240235325</b>	UNIT	VALUE	TOLERANCE	PACK/STORAGE	
min HEIGHT	mm	235	+/- 1,0	PIECES PER BOX	25SE5 + 25P1
MAX HEIGHT	mm	325	+/- 1,5	BOXES PER PALLET	20 / 42
WEIGHT	kg	0.845	+/- 5 %	BOX DIMENSION	39.5x60x42.5cm 39x39x29.5cm
MAX CENTRAL COMPRESSION RESISTANCE*	kN	15.02	/	BOX WEIGHT	15.2kg + 6kg
MAX ECCENTRIC COMPRESSION RESISTANCE*	kN	12.68	/	PALLET /Pcs PER PALLET	80x120cm 500+1050

<b>SE9_E240205345</b>	UNIT	VALUE	TOLERANCE	PACK/STORAGE	
min HEIGHT	mm	205	+/- 1,0	PIECES PER BOX	25SE3+25P1(X2)
MAX HEIGHT	mm	345	+/- 1,5	BOXES PER PALLET	24 / 42(X2)
WEIGHT	kg	0.93	+/- 5 %	BOX DIMENSION	39.5x60x26.5cm 39x39x29.5cm
MAX CENTRAL COMPRESSION RESISTANCE*	kN	15.32	/	BOX WEIGHT	11.45kg+6kg(X2)
MAX ECCENTRIC COMPRESSION RESISTANCE*	kN	11.01	/	PALLET /Pcs PER PALLET	80x120cm 600+2100

<b>SE10_E240250385</b>	UNIT	VALUE	TOLERANCE	PACK/STORAGE	
min HEIGHT	mm	250	+/- 1,0	PIECES PER BOX	25SE4+25P1(X2)
MAX HEIGHT	mm	385	+/- 1,5	BOXES PER PALLET	20 / 42(X2)
WEIGHT	kg	0.99	+/- 5 %	BOX DIMENSION	39.5x60x42.5cm 39x39x29.5cm
MAX CENTRAL COMPRESSION RESISTANCE*	kN	14.95	/	BOX WEIGHT	13kg+6kg(X2)
MAX ECCENTRIC COMPRESSION RESISTANCE*	kN	12.30	/	PALLET /Pcs PER PALLET	80x120cm 500+2100

<b>SE11_E240300400</b>	UNIT	VALUE	TOLERANCE	PACK/STORAGE	
min HEIGHT	mm	300	+/- 1,0	PIECES PER BOX	25SE5+25P1(X2)
MAX HEIGHT	mm	400	+/- 1,5	BOXES PER PALLET	20 / 42(X2)
WEIGHT	kg	1.08	+/- 5 %	BOX DIMENSION	39.5x60x42.5cm 39x39x29.5cm
MAX CENTRAL COMPRESSION RESISTANCE*	kN	15.02	/	BOX WEIGHT	15.2kg+6kg(X2)
MAX ECCENTRIC COMPRESSION RESISTANCE*	kN	13.81	/	PALLET /Pcs PER PALLET	80x120cm 500+2100



# TECHNICAL DATA SHEET

## PEDESTAL SE

# eternoivica

INNOVATION LEADER



### ITEMS CHARACTERISTICS & PROPERTIES

<b>SE12_E240270455</b>	UNIT	VALUE	TOLERANCE	PACK/STORAGE	
min HEIGHT	mm	270	+/- 1,0	PIECES PER BOX	25SE3+25P1(X3)
MAX HEIGHT	mm	455	+/- 1,5	BOXES PER PALLET	24 / 42(X3)
WEIGHT	kg	1.17	+/- 5 %	BOX DIMENSION	39.5x60x26.5cm 39x39x29.5cm
MAX CENTRAL COMPRESSION RESISTANCE*	kN	15.85	/	BOX WEIGHT	11.45kg+6kg(X3)
MAX ECCENTRIC COMPRESSION RESISTANCE*	kN	11.13	/	PALLET /Pcs PER PALLET	80x120cm 600+3150

<b>SE13_E240315500</b>	UNIT	VALUE	TOLERANCE	PACK/STORAGE	
min HEIGHT	mm	315	+/- 1,0	PIECES PER BOX	25SE4+25P1(X3)
MAX HEIGHT	mm	500	+/- 1,5	BOXES PER PALLET	20 / 42(X3)
WEIGHT	kg	1.23	+/- 5 %	BOX DIMENSION	39.5x60x42.5cm 39x39x29.5cm
MAX CENTRAL COMPRESSION RESISTANCE*	kN	16.06	/	BOX WEIGHT	13kg+6kg(X3)
MAX ECCENTRIC COMPRESSION RESISTANCE*	kN	11.49	/	PALLET /Pcs PER PALLET	80x120cm 500+3150

<b>SE14_E240365550</b>	UNIT	VALUE	TOLERANCE	PACK/STORAGE	
min HEIGHT	mm	365	+/- 1,0	PIECES PER BOX	25SE5+25P1(X3)
MAX HEIGHT	mm	550	+/- 1,5	BOXES PER PALLET	20 / 42(X3)
WEIGHT	kg	1.32	+/- 5 %	BOX DIMENSION	39.5x60x42.5cm 39x39x29.5cm
MAX CENTRAL COMPRESSION RESISTANCE*	kN	16.07	/	BOX WEIGHT	15.2kg+6kg(X3)
MAX ECCENTRIC COMPRESSION RESISTANCE*	kN	11.92	/	PALLET /Pcs PER PALLET	80x120cm 500+3150

\*Tests made by Civil and Environmental Department of University of Padova. 1 kN = 102 kg

The packaging of the supports consists of cardboard boxes. The final packaging of the pallets is made with the wrapping of a polyethylene film. Indoor storage, protected from precipitation, is recommended.

**INSTALLATION METHOD:** The product is laid dry, without the need for adhesives or other types of fixings.

The above data are relevant to current production and may be changed or updated by Eterno Ivica at any time without notice. Given the many possible uses and the possible interference of external elements, we do not assume responsibility for the results. The buyer is required to establish under their own responsibility the suitability of the product for the intended use. This document is property of Eterno Ivica. All rights reserved.